



# RAVEK

**CF MOTO U10 2024+**

**PLUG & PLAY AUTO-CANCEL UTV TURN SIGNAL KIT**

Part #: 68-1000    Fitment: CF MOTO U10 2024+



Ratchet



10mm Deep Well Socket



Small Flathead Screwdriver



Phillips Screwdriver



Side Cutter Pliers



Push Pin Pliers



Lighter/Heat Gun



T-40 Torx



T-30 Torx

## PARTS INCLUDED

- Controller (1X)
- Horn (1X)
- Power Harness (1X)
- Turn Switch (1X)
- Horn/Hazards Switch (1X)
- Switch Extension Harness (2X)
- Rear Harness (1X)
- License Plate Harness (1X)
- License Plate Illuminator (1X)
- Dash Indicator Harness (2X)
- Dielectric Grease (1X)
- Front Harness (1X)
- Wire Ties (20X)
- Adhesive Promoter Wipe (3X)
- Rubbing Alcohol Wipe (3X)
- Rear Extension Harness (1X)
- Heat Shrink (1X)

**INSTALL VIDEO TUTORIAL**

**CALL US WITH ANY  
QUESTIONS: 855-617-2787**



# STEP BY STEP GUIDE

## 1) REMOVE HOOD



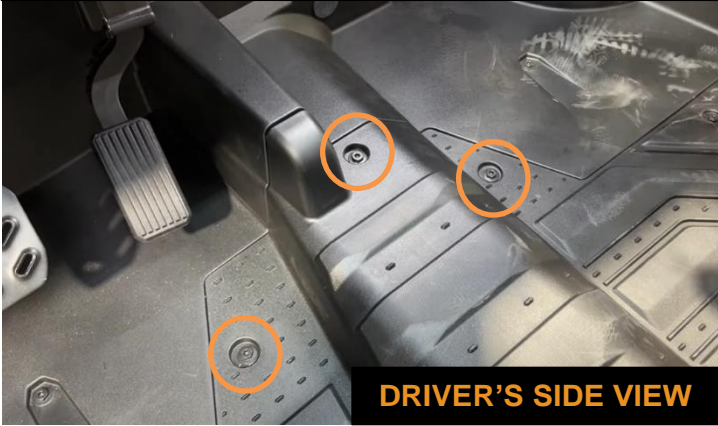
## 2) REMOVE SCREEN



## 3) REMOVE TWO ROCKER SWITCH KNOCKOUTS



#### 4) REMOVE FLOORBOARD HARDWARE



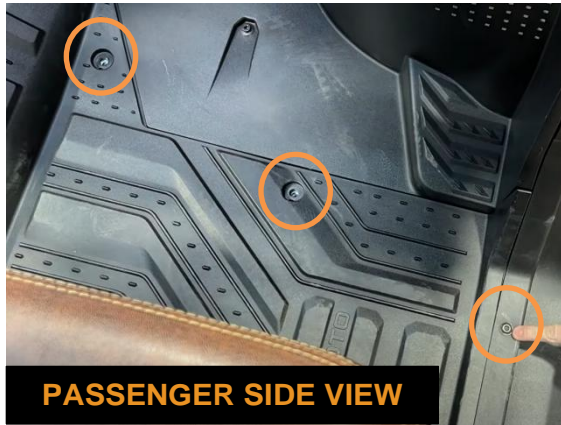
DRIVER'S SIDE VIEW



DRIVER'S SIDE VIEW



DRIVER'S SIDE VIEW



PASSENGER SIDE VIEW

#### 5) REMOVE PASSENGER SIDE SEAT CUSHION



DRIVER'S SIDE VIEW

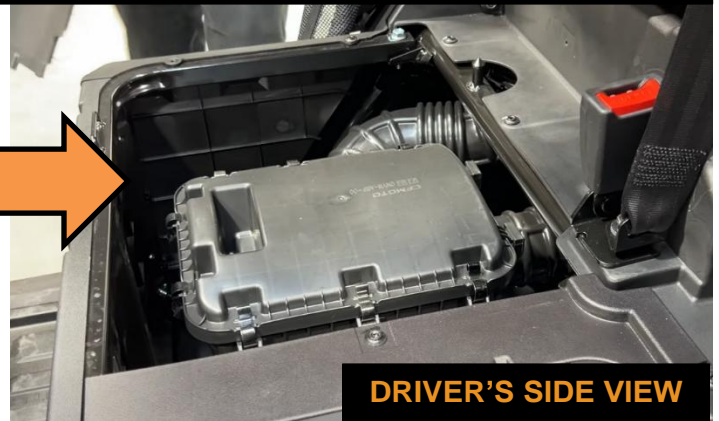


DRIVER'S SIDE VIEW

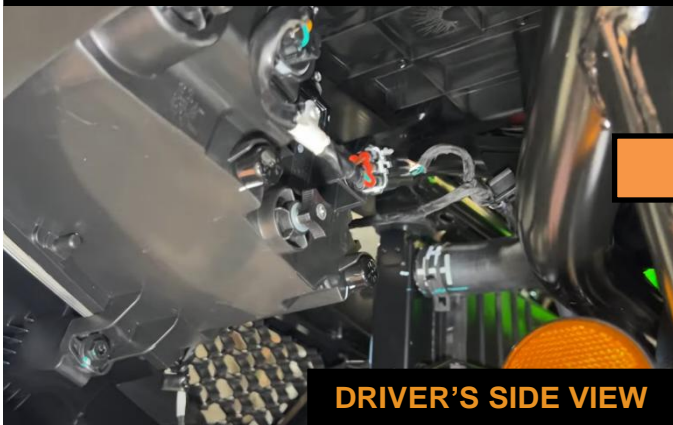


DRIVER'S SIDE VIEW

**6) REMOVE ACCESS PANEL TO AIR BOX**



**7) UNPLUG HEADLIGHTS**



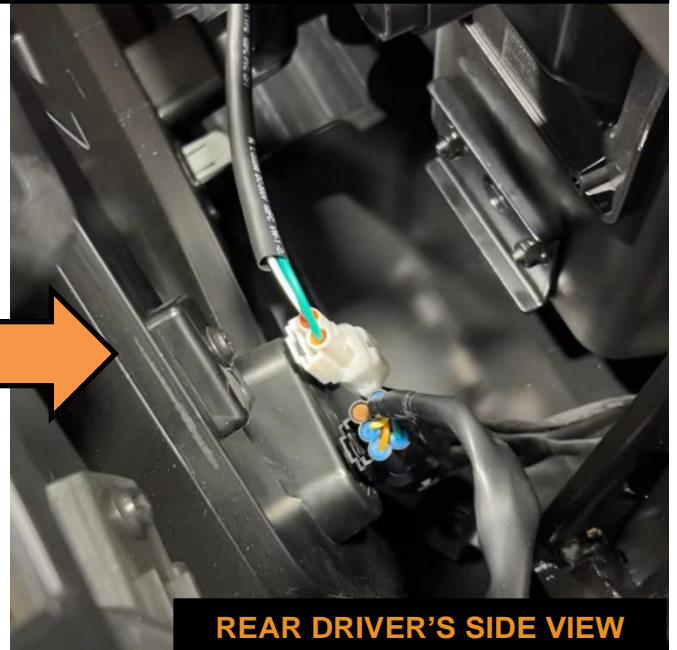
**8) REMOVE TAILLIGHT HARDWARE**



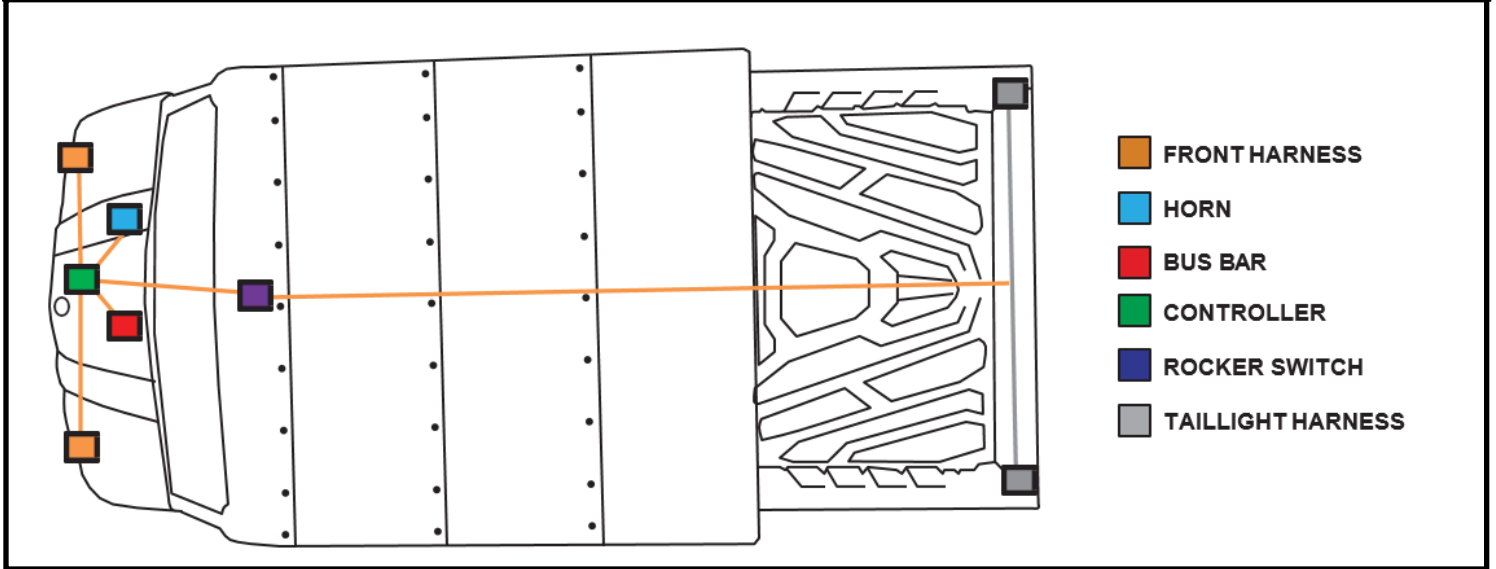
## 9) SEMI-REMOVE BED SIDECOVERS



## 10) UNPLUG TAILLIGHTS



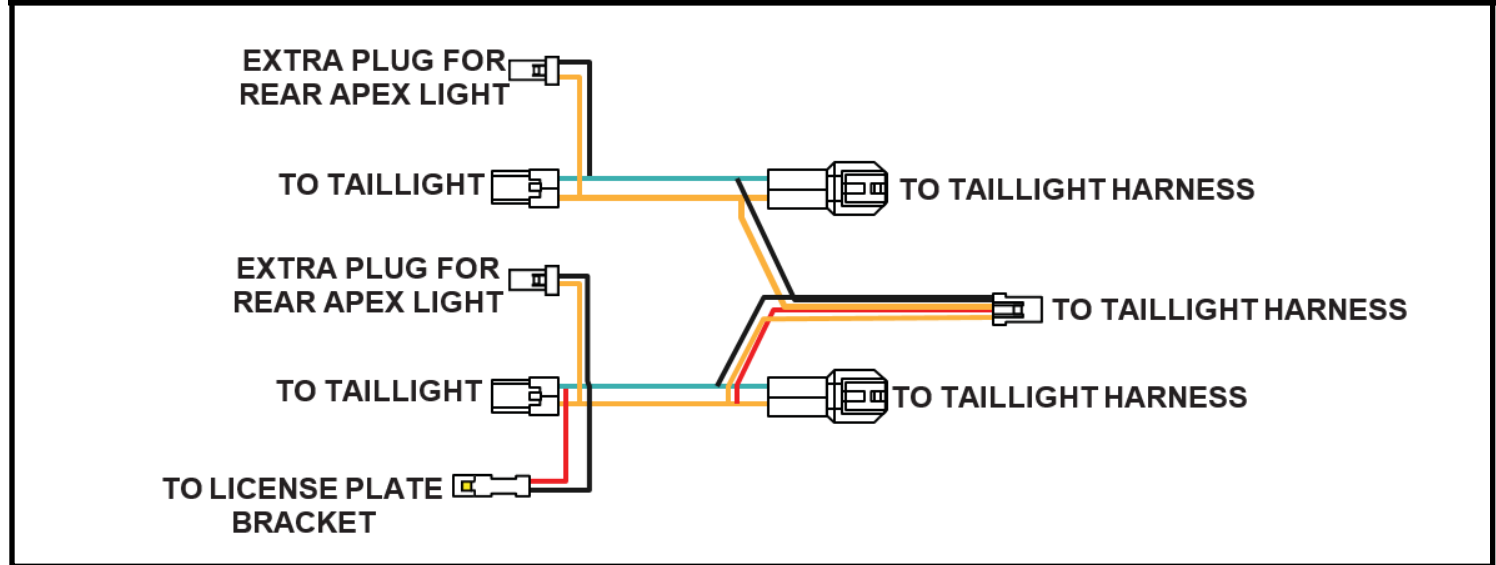
## 11) ROUTE WIRING AS SHOWN



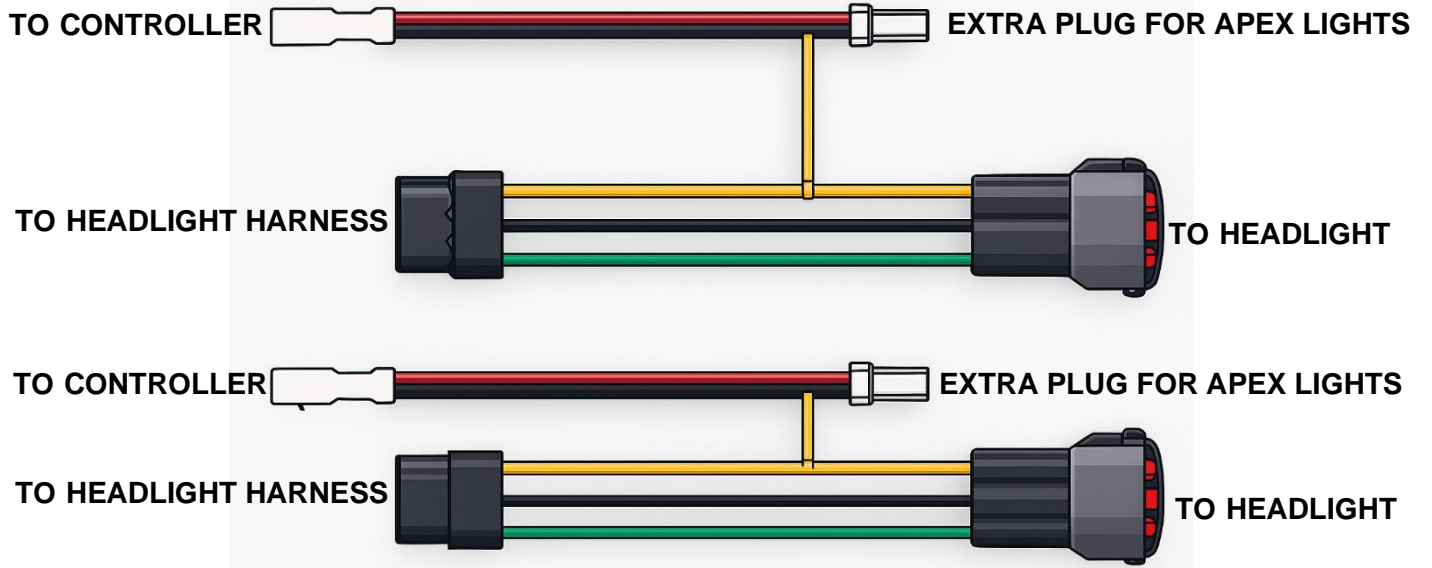
### WARNING:

**ENSURE ALL WIRING IS ROUTED AWAY FROM THE DRIVESHAFT, AS WELL AS ANY HOT OR MOVING COMPONENTS.**

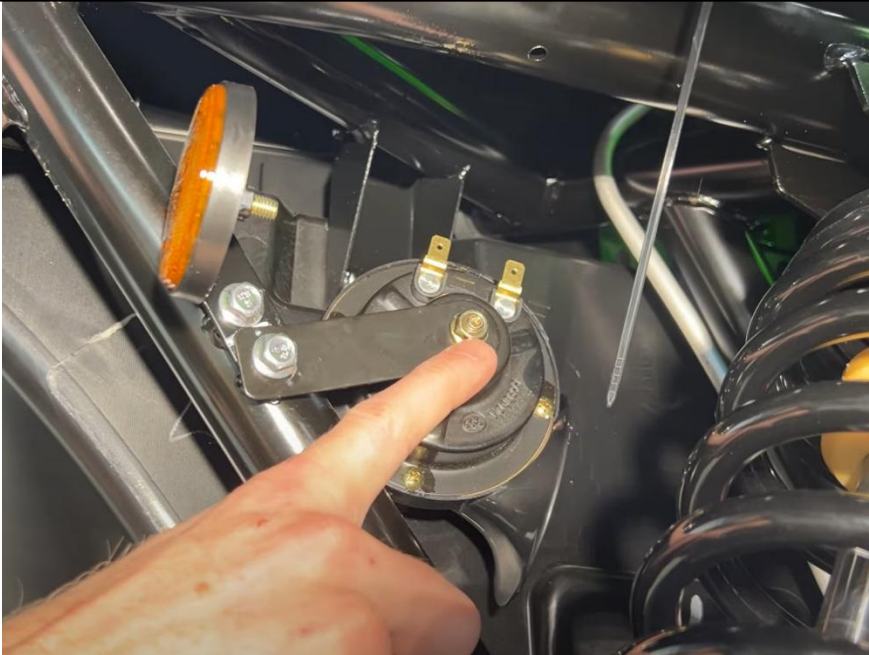
## 12) PLUG IN REAR HARNESS AS SEEN



### 13) PLUG IN FRONT HARNESS AS SEEN



### 14) INSTALL HORN RESUING OEM HARDWARE

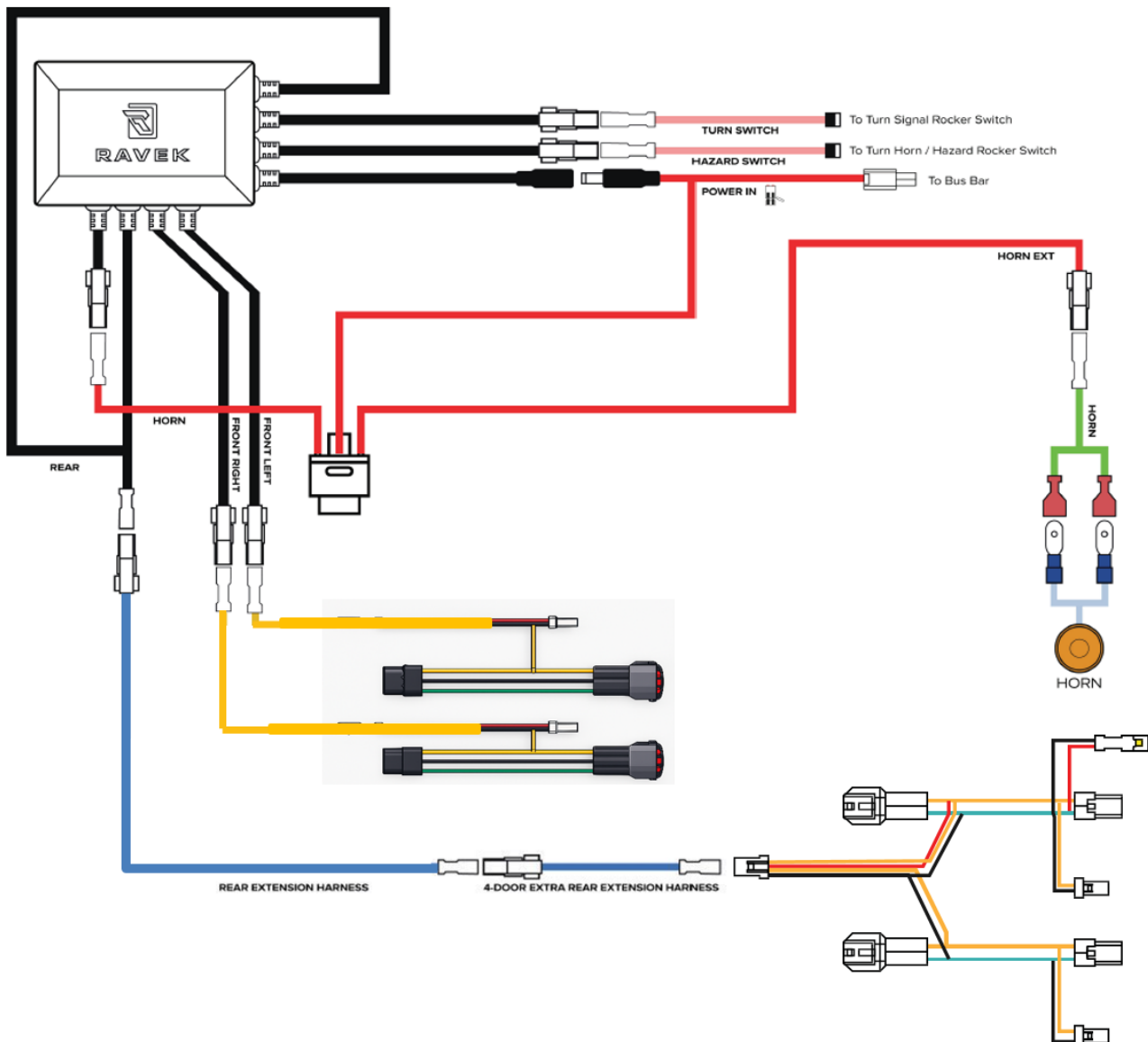


## 15) TEST YOUR TSK & TIDY UP YOUR MACHINE



- Running brake lights
- Running white lights
- Brake light with pulse effect
- Left turn signal:
  - Push Once: Activates a 20-second auto-cancel timer.
  - Push Twice: Extends the timer to 40 seconds.
  - Push Three Times: Sets the timer to 90 seconds.
- Left turn signal dash indicator
- Right turn signal:
  - Push Once: Activates a 20-second auto-cancel timer.
  - Push Twice: Extends the timer to 40 seconds.
  - Push Three Times: Sets the timer to 90 seconds.
- Right turn signal dash indicator
- Hazards
- Horn

## 16) TSK WIRING DIAGRAM OVERVIEW





## WHY RAVEK

Stock UTVs don't come with enough storage, lighting, comfort, and protection. That's why we started RAVEK.

We live to design, manufacture, and test innovative SxS upgrades that elevate the riding experience. Here's what you can expect from us:

- Durable products built to last (100% lifetime guarantee)
- UTV upgrades thoughtfully designed & tested by riders
- Outstanding installation support (videos & USA customer service)
- Constant flow of epic riding content (check out our social media)

We're confident your RAVEK product will earn its place on your machine. Please call or e-mail us if we can help.

- Harry & Ricky (Brothers & Owners)

## MESSAGE FROM THE DESIGNER

All UTVs come without turn signals, and even though you can ride them on the road, people need to make hand signals to indicate to other riders that you are making a turn! Not only is it tiring, but not safe!

That is why I created this kit: you can easily install a turn signal kit to your UTV, add some personality to your ride, and make your ride safe at any time of the day.